

TECHNICAL SAFETY DATA SHEET (V7)  
**Semi-Automatic Model**

## Product Description

### SPECIFICATIONS

4-season safety cover that complies with the **AFNOR regulation NF P90-308 December 2013**



- **Manoeuvre :**
  - Portable control box equipped with 2 batteries 12V 5,5 Ah
  - Independent charger to plug into an electrical outlet 220 V
  - Ratchet spanner only in case of an electrical failure



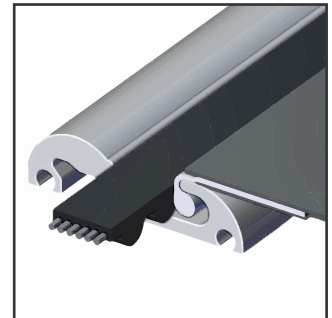
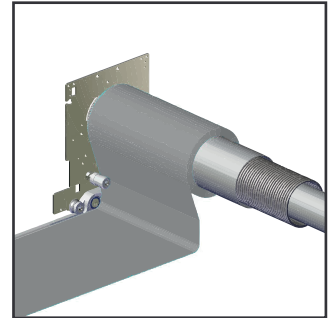
- **Membrane :** PVC pre-stressed membrane of Serge Ferrari brand
- **Courroie :** Polyuréthane avec câbles en inox
- **Mécanical :** All the metallic parts involved in the security are in 316 stainless steel
- **Rails :** Anodized 6005 T6 aluminum
- **Casing :** Powder-coated aluminum, epoxy matt finished of **Ral colour 7037** (standard)



- **Length :** min 2 meters -> max 24 meters



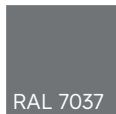
- **Width :** min 2 meters -> max 8,5 meters (depending on the length of the cover)<sup>1</sup>
- **Speed :** Closing/opening time : 60 seconds for a length of 13 meters



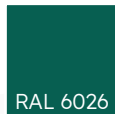
### AVAILABLE COLOURS OF THE MEMBRANE



RAL 7035  
Light Grey



RAL 7037  
Dust Grey



RAL 6026  
Opal Green



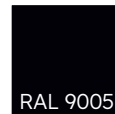
RAL 5013  
Cobalt Blue



RAL 5015  
Sky Blue



RAL 1015  
Light Ivory



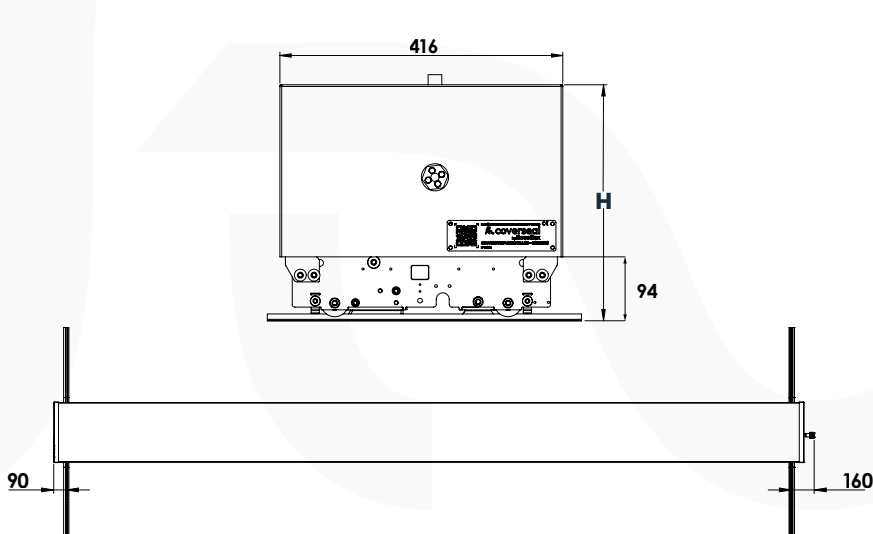
RAL 9005  
Pure Black



### AVAILABLE OPTIONS

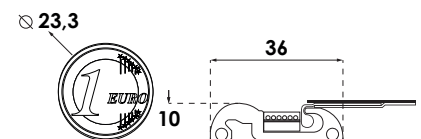
- All-terrain rail (RTT) 72,0 mm x 10,6 mm (unregular surface or low density)
- The casing is available in all RAL K7 Classic paints except for fluo and metallic paints.
- Mechanical closing sensor

### MEASURES (in mm)



H	
348	M
423	L
N/A	

<sup>1</sup> Please refer to the price list table



afnor  
CERTIFICATION



Technical Data Sheet: Semi-Automatic Model  
 Cover 102 in compliance with the Afnor NF P90-308 standard of December 2013 - LNE certified

coverseal