

Manual Model

Product Description

SPECIFICATIONS

4-season safety cover that complies with the **AFNOR regulation NF P90-308 December 2013**



• **Manoeuvre** : Ratchet spanner to be placed on the central drum for closing and opening

• **Membrane** : PVC pre-stressed membrane of Serge Ferrari brand

• **Belt** : Polyurethane with stainless steel cables



• **Méchanical** : All the metallic parts involved in the security are in 316 stainless steel

• **Rails** : Anodized 6005 T6 aluminum

• **Habillage** : Powder-coated aluminum, epoxy matt finished of **Ral colour 7037** (standard)

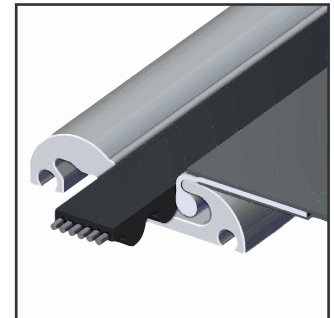
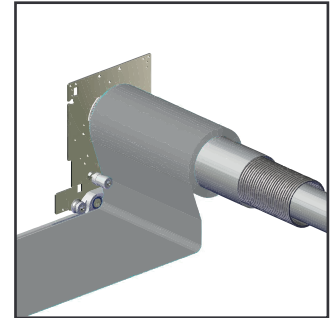


• **Length** : min 2 meters -> max 24 meters

• **Width** : min 2 meters -> max 8,5 meters (depending on the length of the cover)¹



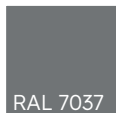
• **Speed** : Closing/opening time : 60 seconds for a length of 5 meters



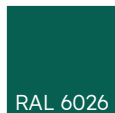
AVAILABLE COLOURS OF THE MEMBRANE



Light Grey



Dust Grey



Opal Green



Cobalt Blue



Sky Blue



Light Ivory

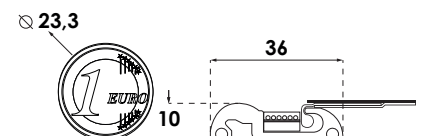
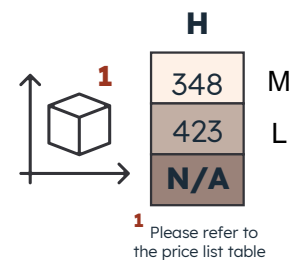
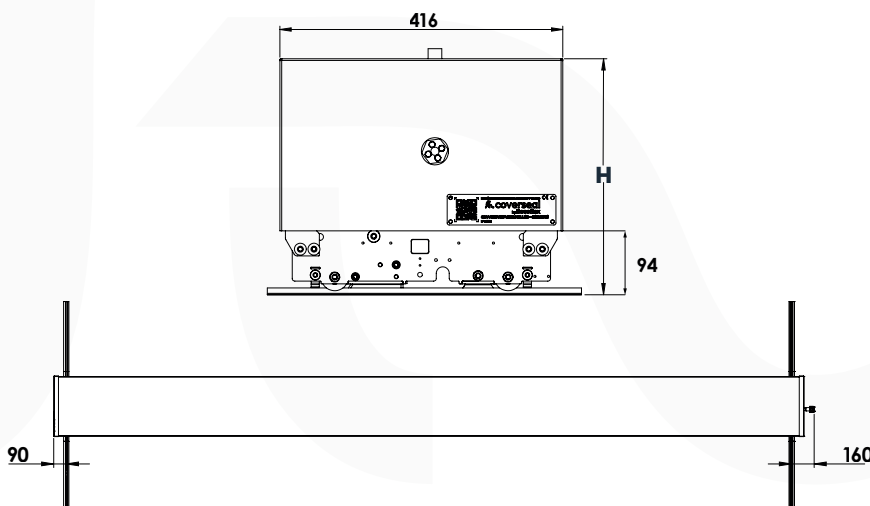


Pure Black

AVAILABLE OPTIONS

- All-terrain rail (RTT) 72,0 mm x 10,6 mm (unregular surface or low density)
- The casing is available in all RAL K7 Classic paints except for fluo and metallic paints.
- Mechanical closing sensor

MEASURES (in mm)



Technical Data Sheet: Manual Model
Cover 102 in compliance with the Afnor NF P90-308 standard of December 2013 - LNE certified

coverseal